

General Specifications

<b>Sensor resolution</b>	1600 x 1200 pixels
<b>Sensor</b>	E2v EV76C570
<b>Sensor format</b>	1/1.8"
<b>Lens mount</b>	C/CS-mount
<b>Chroma</b>	Mono / color
<b>Shutter</b>	Global shutter
<b>Interface</b>	USB 3.0
<b>Trigger-input</b>	4-pin Binder M8 connector
<b>Stereo baseline distance</b>	10 cm / 25 cm
<b>Mounting bottom side</b>	4x M3 threaded hole 1x 1/4" UNC threaded hole (tripod mount)
<b>Mounting top side</b>	2x M3 threaded hole
<b>Weight without lenses</b>	280 g for 10 cm baseline 450 g for 25 cm baseline
<b>Conformity</b>	CE, UKCA, FCC, RoHS

Karmin2 is intended for use with SceneScan or SceneScan Pro image processing systems. Karmin2 is not for individual sale.

Operating Voltages for Trigger Port Maximum Allowed Lens Intrusion

Voltage	Description	Mount type	Lense rear diameter	Maximum intrusion
4.2 VDC	Absolute max. voltage	CS-mount	< 13.5 mm > 13.5 mm	7.8 mm 6.0 mm
0 up to 3.4 VDC	Safe operating range	C-mount	< 13.5 mm >13.5 mm	12.8 mm (with 5 mm spacer ring) 11.0 mm (with 5 mm spacer ring)

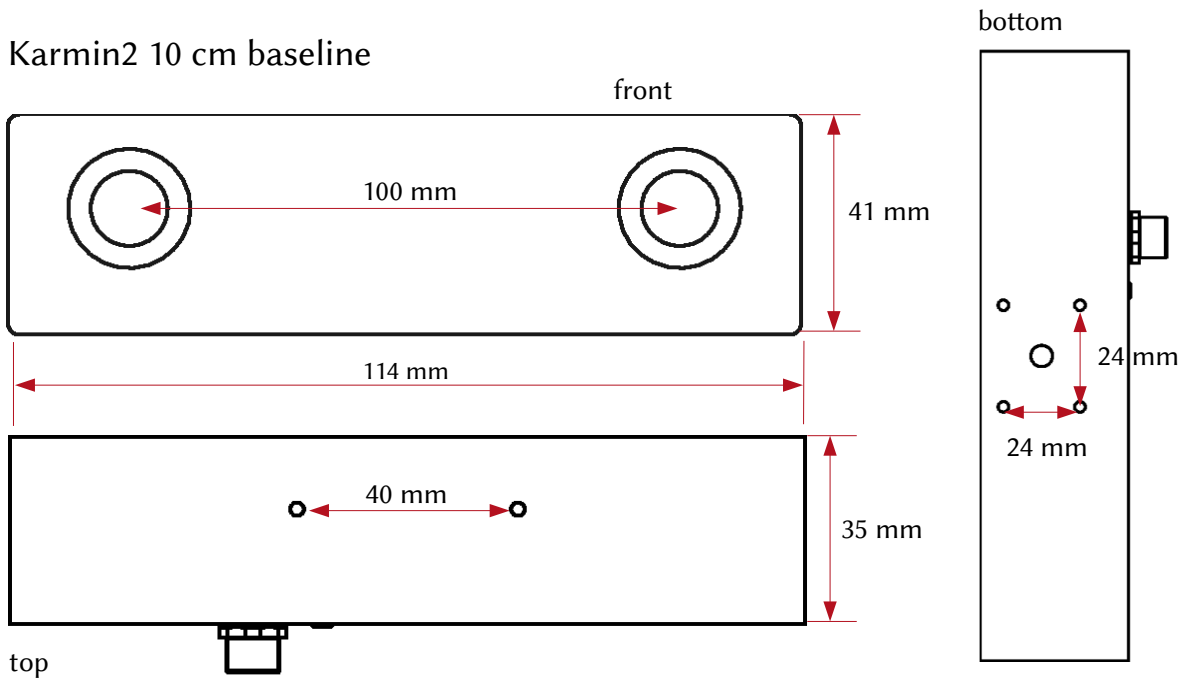
Supported trigger frequencies / frame rates

Binning / Demosaicing	SceneScan model	Disparity range	Max. frequencies
2 x 2 monochrome binning	SceneScan	128	40 Hz
2 x 2 monochrome binning	SceneScan Pro	256	20 Hz
Demosaicing (color)	SceneScan Pro	192	29 Hz
None	SceneScan Pro	256	8 Hz

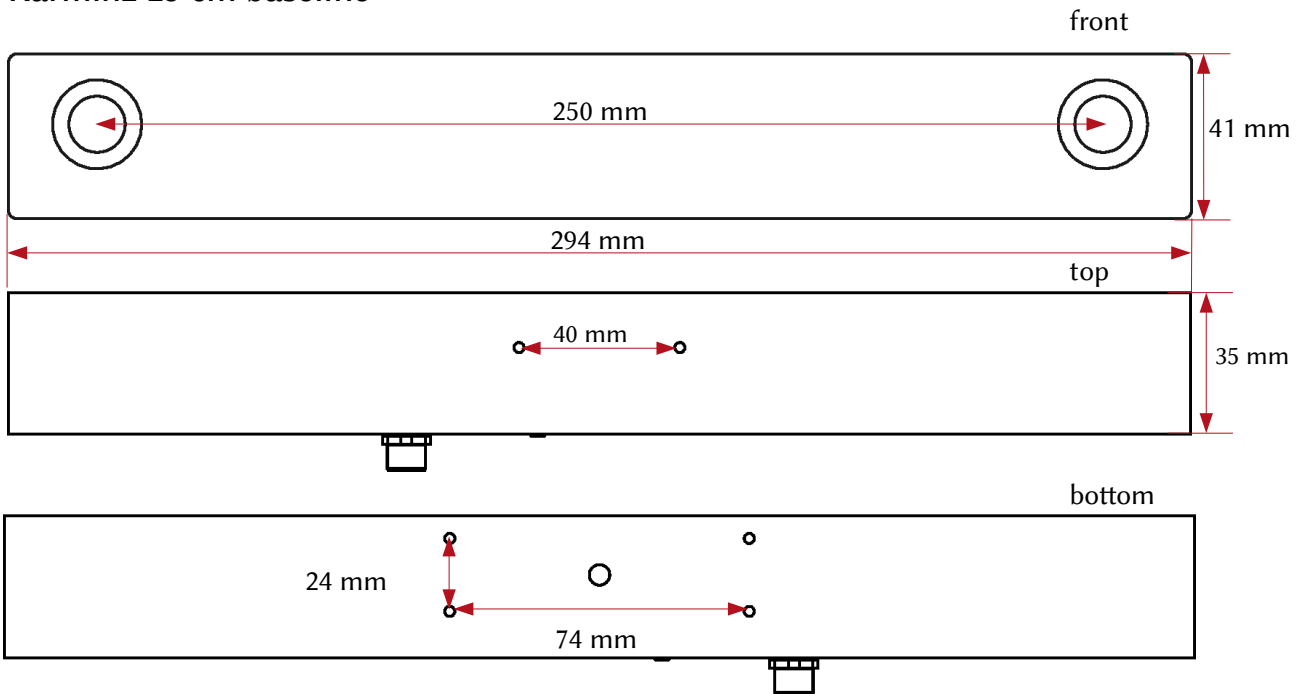


Technical drawings and dimensions

Karmin2 10 cm baseline



Karmin2 25 cm baseline



Pin Assignment of Trigger Connector

